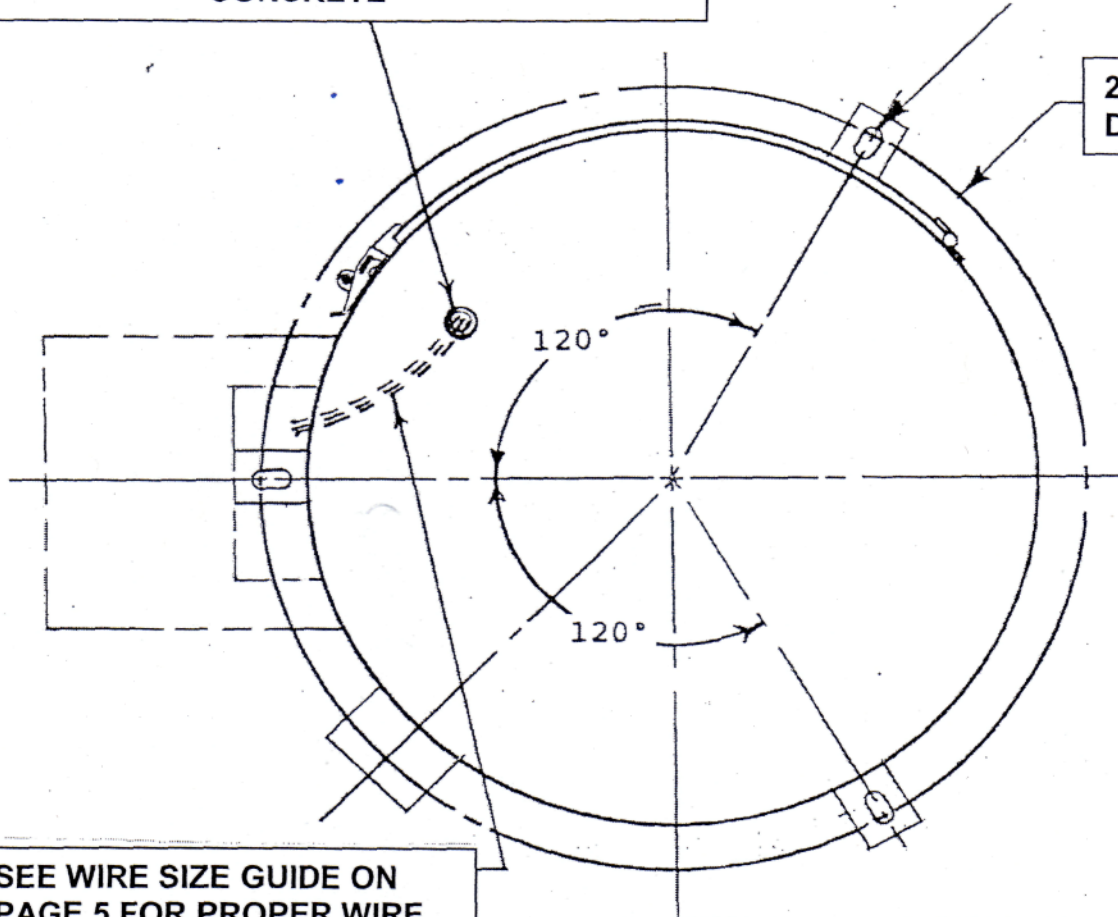


MOUNTING INSTRUCTIONS AND PATTERN

CONDUIT CAN ENTER ANYWHERE IN THIS CIRCLE, BUT SHOULD NOT EXTEND MORE THAN 1 INCH ABOVE CONCRETE BECAUSE FLOOR OF VACUUM IS ONLY 2 1/2 INCHES ABOVE THE CONCRETE

USE 1/2 IN DIAMETER STUDS 3 PLACES

21 1/8 DIAMETER



SEE WIRE SIZE GUIDE ON PAGE 5 FOR PROPER WIRE

ELECTRICAL REQUIREMENTS K52 & K52-9, 120 VAC 20 AMP CIRCUIT BREAKER, K552-750 120 VAC 40 AMP CIRCUIT BREAKER

CONCRETE BASE SHOULD BE A MINIMUM OF 26 INCHES LONG BY 26 INCHES WIDE 36 INCHES HIGH. CONCRETE BASE SHOULD BE BURIED 24 INCHES IN THE GROUND. CONCRETE BASE SHOULD SIT UP A MINIMUM OF 12 INCHES ABOVE GROUND LEVEL OR CAR BUMPER HEIGHT.